

Hallway

BT IPD - concealed
 EAN 4007841 064556
 Article number 064556



Max. 25 x 3 m



2 - 4 m



IP20



2 - 2000 Lux

5 years

Herstellergarantie steinel-
 professional.de/garantie



CE

Function description

The cleverer hallway sensor knows more. Perfect radial detection up to 25 m – ideal for long corridors and hallways. Reach can be adjusted in both directions. Contemporary Control PRO II design. Featuring Bluetooth technology. Interfaces for COM1, COM2, DALI-2 APC, DALI-2 IPD, KNX, IP and BT IPD (Slave).

Technical specifications

Dimensions (L x W x H)	67 x 103 x 103 mm	Mounting height max.	4,00 m
With motion detector	Yes	Optimum mounting height	2,8 m
Manufacturer's Warranty	5 years	HF-system	5,8 GHz
Settings via	Bluetooth	Detection	also through glass, wood and stud walls
With remote control	No	Detection angle	Aisle, 360 °
Version	BT IPD - concealed	Angle of aperture	140 °
PU1, EAN	4007841064556	Sneak-by guard	Yes
Type	Presence detector	Capability of masking out individual segments	No
Application, place	Indoors	Electronic scalability	Yes
Application, room	Indoors, corridor / aisle	Mechanical scalability	No
Colour	white	Reach, radial	25 x 3 m (75 m ²)
Colour, RAL	9003	Reach, tangential	25 x 3 m (75 m ²)
Includes corner wall mount	No	Transmitter power	< 1 mW
Installation site	ceiling	Basic light level function	No
Installation	Concealed wiring, Ceiling	Main light adjustable	No
IP-rating	IP20	Twilight setting TEACH	No
Ambient temperature	-20 – 50 °C		

Hallway

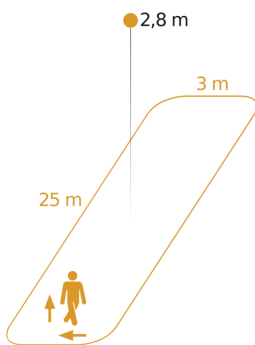
BT IPD - concealed
EAN 4007841 064556
Article number 064556

Technical specifications

Material	Plastic
Mains power supply	220 – 240 V / 50 – 60 Hz
Technology, sensors	High frequency, Light sensor
Mounting height	2,00 – 4,00 m

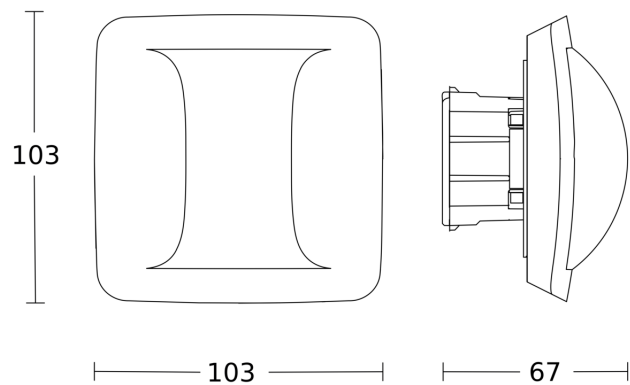
Constant-lighting control	No
Interconnection	Yes
Type of interconnection	Master/slave
Interconnection via	Bluetooth

Detection Zone



Possible mounting height: 2,00 m – 4,00 m
Orange: radial and tangential

Dimension Drawing



Circuit diagram

